



INSTALLATION INSTRUCTIONS

PART NUMBER: RK-3933

This Assembly Fits:

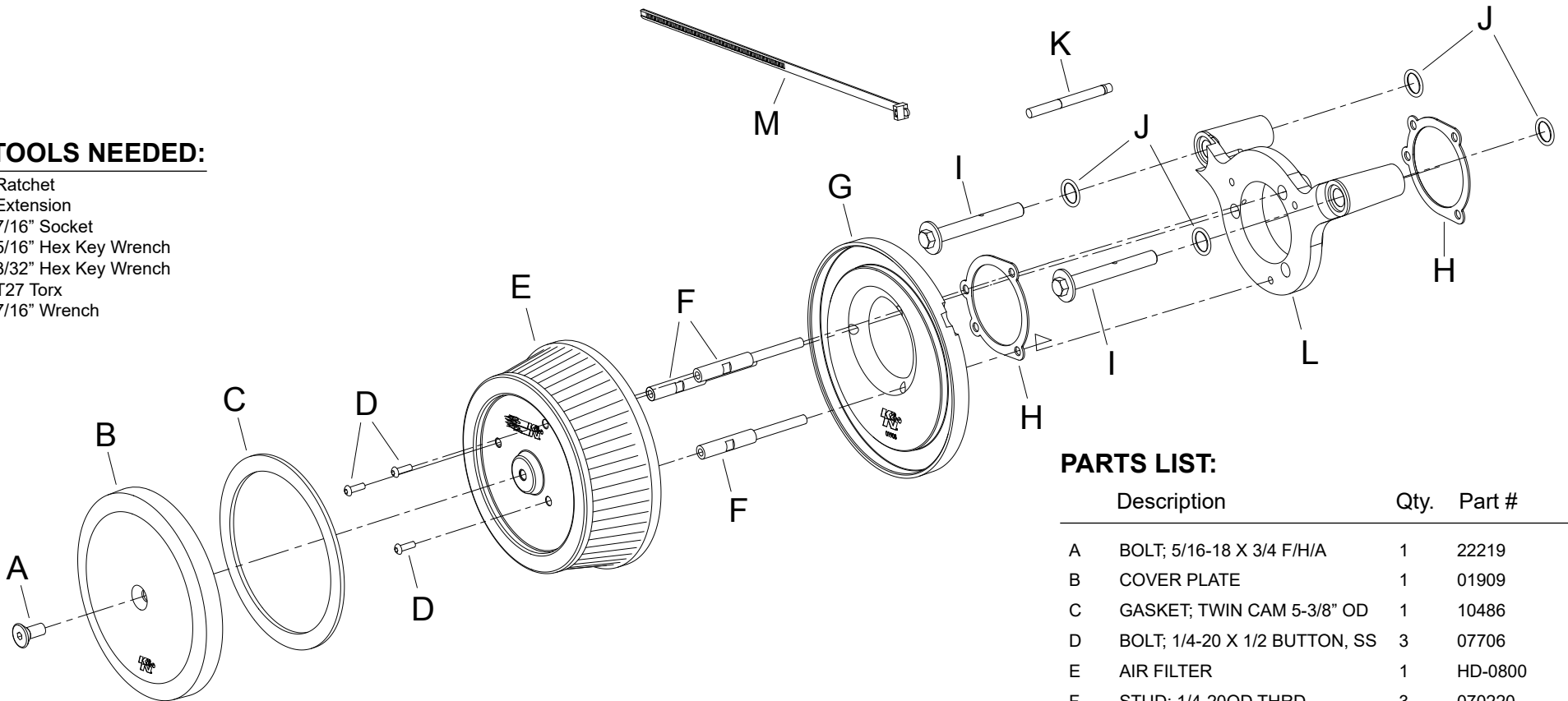
SEE CATALOG FOR CURRENT APPLICATIONS

SEE KNFILTERS.COM FOR CARB STATUS ON EACH PART FOR A SPECIFIC VEHICLE

Congratulations, you have purchased the finest custom air cleaner that money can buy. With proper care, this filter will last 1 million miles or more. This custom air cleaner replaces the stock air cleaner assembly. The following procedure **MUST** be followed to ensure a proper fit and seal of the custom air cleaner.

TOOLS NEEDED:

Ratchet
Extension
7/16" Socket
5/16" Hex Key Wrench
3/32" Hex Key Wrench
T27 Torx
7/16" Wrench



PARTS LIST:

| | Description | Qty. | Part # |
|---|-------------------------------|------|---------|
| A | BOLT; 5/16-18 X 3/4 F/H/A | 1 | 22219 |
| B | COVER PLATE | 1 | 01909 |
| C | GASKET; TWIN CAM 5-3/8" OD | 1 | 10486 |
| D | BOLT; 1/4-20 X 1/2 BUTTON, SS | 3 | 07706 |
| E | AIR FILTER | 1 | HD-0800 |
| F | STUD; 1/4-20OD THRD. | 3 | 070220 |
| G | BACK PLATE CHROME | 1 | 01908 |
| H | GASKET | 2 | 09267 |
| I | BOLT; BREATHER 4340 | 2 | 22212 |
| J | O-RING; 9/16" ID, .10 THICK | 4 | 07761 |
| K | 2ML, MEDIUM STRENGTH | 1 | 482 |
| L | BACK PLATE | 1 | 01907TK |
| M | CABLE TIES; 11" BLACK | 1 | 21590 |

If you need any assistance please call 1-800-858-3333 to speak with a representative in our Customer Service Center before returning the product.

NOTE: FAILURE TO FOLLOW INSTALLATION INSTRUCTIONS AND NOT USING THE PROVIDED HARDWARE MAY DAMAGE THE INTAKE TUBE, THROTTLE BODY AND ENGINE.

TO START:

1. Turn off the ignition and disconnect the negative battery cable.



2. Remove the bolt that secures the bonnet to the filter assembly and then remove the bonnet from the vehicle.

NOTE: The Bonnet may be a different style than pictured.



3. Remove the three bolts that secure the air filter to the filter base and then remove the air filter along with the crankcase breather tubes.

NOTE: The factory air filter may differ from the picture; it may also have a bracket attached.



4. Remove the two crankcase breather bolts shown.



5. Remove the air filter base from the throttle body and unhook the wiring pig tail from the filter base.

NOTE: K&N Engineering, Inc., recommends that customers do not discard the factory air intake components.
NOTE: Unhook the wiring pigtail from the rear of the filter base. On non-US models, disconnect the intake valve solenoid.



6. Using the provided tie wrap, secure the wiring pig tail to the throttle body wiring harness.

NOTE: On non-US models, a by-pass module (sold separately) will need to be installed onto the pigtail to eliminate an engine management light from turning on. (non-US models only)



7. Install two of the provided o-rings into the K&N® crankcase breather plate as shown.

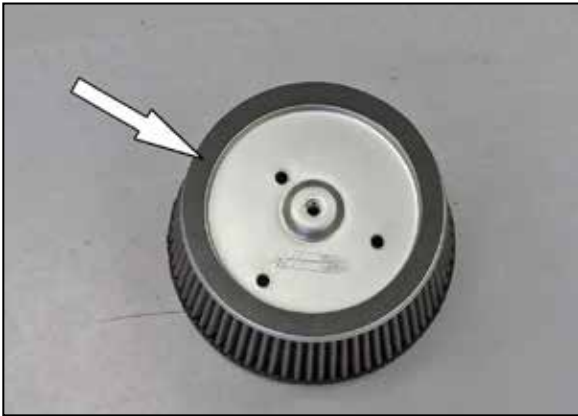


8. Install the K&N® crankcase breather plate along with the two remaining o-rings, mounting bolts (with one drop of thread locker) and the throttle body gasket as shown.

NOTE: Install the three filter base plate spacer/bolts to hold the throttle body gasket in place until the two breather bolts are tightened, then remove the three filter base plate mounting bolts.



9. Install the three spacer/bolts into the K&N® filter base plate, then install the base plate gasket and one drop of thread locker onto each spacer/bolt. Install the K&N® filter base plate assembly onto the breather plate as shown.

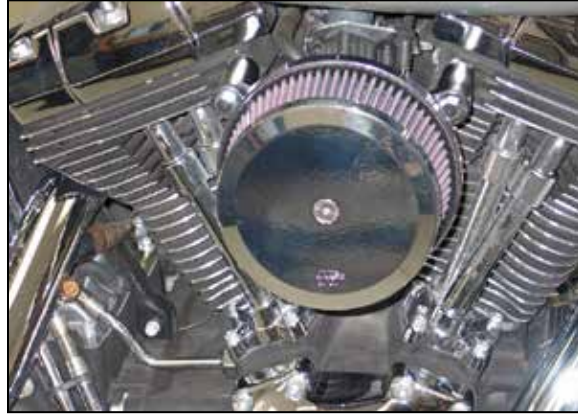


10. Install the provided gasket onto the filter top plate as shown.



11. Install the K&N® air filter onto the base plate and secure with the provided hardware.

NOTE: Be sure to apply one drop of thread locker to each bolt.



12. Install the filter cover plate onto the K&N® air filter and secure with the provided hardware.

NOTE: Be sure to place one drop of thread locker to the cover plate mounting bolt.



13. Reconnect the vehicle's negative battery cable. Double check to make sure everything is tight and properly positioned before starting the vehicle.

14. The C.A.R.B. exemption sticker, (attached), must be visible, so the emissions inspector can see it when the vehicle is required to be tested for emissions. California requires testing every two years, other states may vary.

15. It will be necessary for all K&N® custom air cleaners to be checked periodically for realignment, clearance and tightening of all connections. Failure to follow the above instructions or proper maintenance may void warranty.

ROAD TESTING:

1. Start the engine with the transmission in neutral. Listen for air leaks or odd noises. For air leaks secure hoses and connections. For odd noises, find cause and repair before proceeding. This kit will function identically to the factory system except for being louder and much more responsive.

2. Test ride the vehicle. Listen for odd noises or rattles and fix as necessary.

3. If road test is fine, you can now enjoy the added power and performance from your kit.

4. K&N Engineering, Inc., requires cleaning the intake system's air filter element every 50,000 miles. When used in dusty or off-road environments, our filters will require cleaning more often. We recommend that you visually inspect your filter once every 25,000 miles to determine if the screen is still visible. When the screen is no longer visible some place on the filter element, it is time to clean it. To clean and re-oil, purchase our filter Recharger® service kit, part number 99-5050 or 99-5000 and follow the easy instructions.

INTAKE SYSTEMS FOR VEHICLES LISTED ARE 50 STATE LEGAL. SEE KNFILTERS.COM FOR CARB STATUS ON EACH PART FOR A SPECIFIC VEHICLE.