



INSTALLATION INSTRUCTIONS

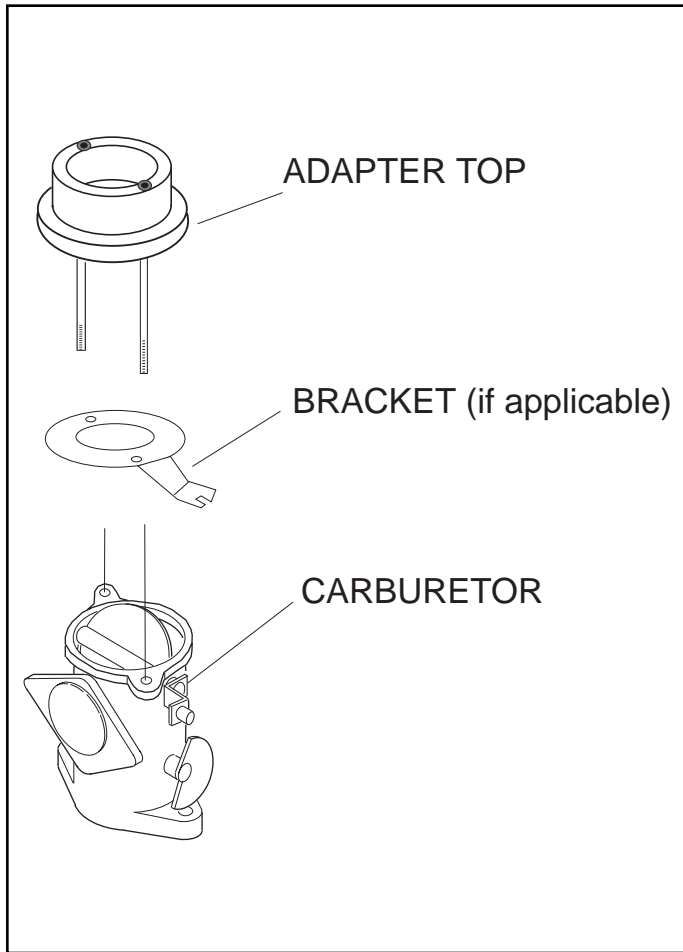
Personal Watercraft Filter Adapter

This adapter fits: SEE CATALOG FOR CURRENT APPLICATIONS

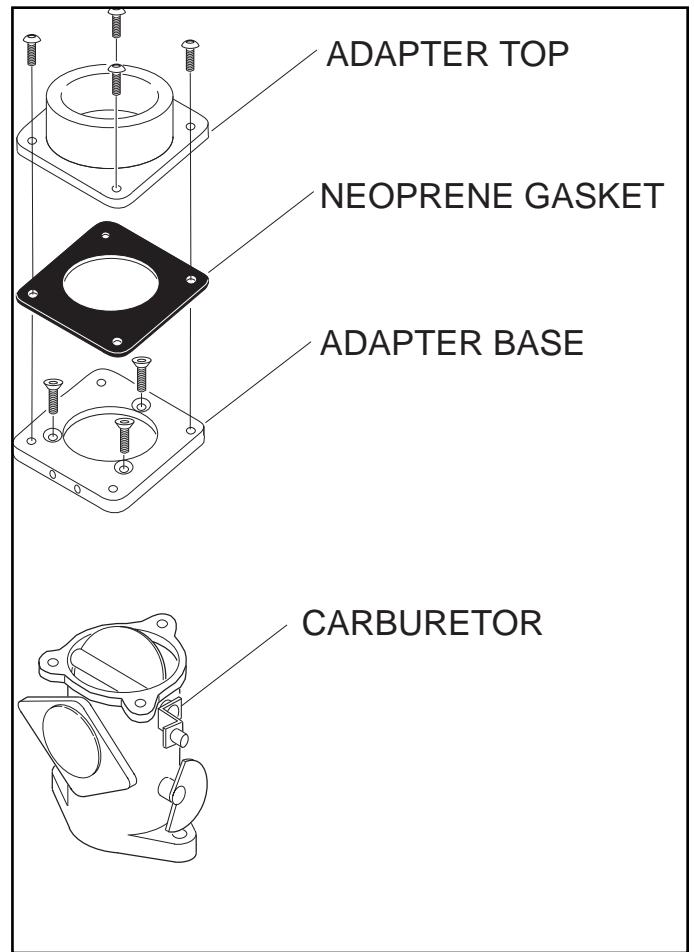
This adapter comes complete with all of the necessary hardware to fit one carburetor. If the watercraft has dual or triple carburetors, additional adapters will need to be purchased separately. Some watercraft may require a slight adjustment to the carburetors fuel circuit to allow for optimum performance. Check with a qualified mechanic for the proper procedures. The following procedure **MUST** be followed to ensure a proper fit and seal of the K&N Personal Watercraft Filter Adapter. A factory service manual will be necessary for the disassembly.

INSTALLATION

1. With the provided hardware, bolt the adapter base to the carburetor, if applicable.
2. Install the adapter top.
Note: Use thread locking compound on all fasteners.
3. Install the proper K&N Flame Arrestor.



Typical One Piece Installation



Typical Two Piece Installation